

## Optical welding helmets

**Migatronik does not compromise safety.** Our welding helmets provide maximum protection of the welder's eyes and face during welding and are designed for optimal welding comfort and optics. Our range meets all requirements, from traditional helmets to automatic types with fresh-air systems.

### MigADC<sup>plus</sup>

The MigADC<sup>plus</sup> is ideal for welders in the manual and manufacturing industries where technical skills and attention to detail are a must. The MigADC<sup>plus</sup> provides optimal conditions for welders to produce high-quality welds.

New ADC\* technology in the optical filter compensates angular dependence significantly. The flashes of light that welders are exposed to may cause irritation of eyes but the MigADC<sup>plus</sup> provides full protection of welders' eyes, neck and face at +/-30° visual angle.

\* ADC = Angular Dependence Compensation



### Classification: 1/1/1/1

for optics, light diffusion, homogeneity and angular dependence.

### MigADC<sup>plus</sup> Standard / MigADC<sup>plus</sup> Air features:

- Fresh-air unit is a possibility
- Clear field of view from all angles reduces eye fatigue and the need of adjusting functions
- Superior optics
- Aerodynamic design conducts away welding fumes
- External control knobs for adjustment of functions
- TIG mode (DIN 6-8)
- Can be fitted with frame for power filter
- Can be fitted with hard hat
- 3-year warranty

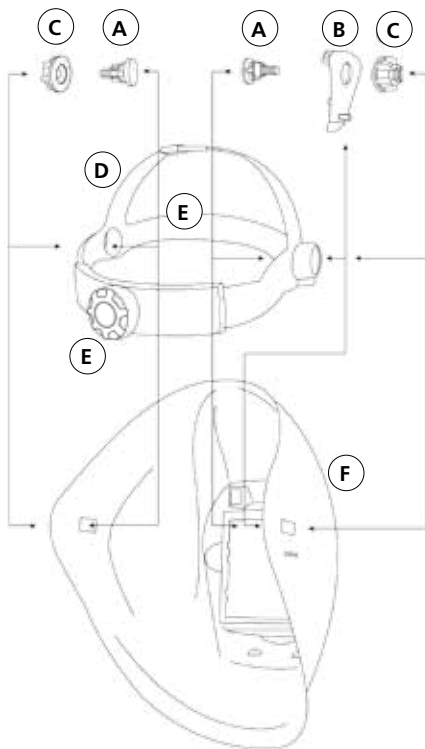
### Technical data:

- Fully-automatic filter (ADF)
- Externally variable shades 6-8 and 9-13
- Externally adjustable delay
- Externally adjustable sensitivity
- External control knob for choosing weld/grind function
- Field of view 96 x 68.5 mm
- Classification 1/1/1/1
- MigADC<sup>plus</sup> Standard approved according to EN379, EN175, EN166
- MigADC<sup>plus</sup> Air approved according to EN379, EN175, EN166, EN12941, EN14594.

### Fields of application:

- MMA (electrode)
- MIG/MAG
- TIG
- Grinding





### MigADC<sup>plus</sup> Standard

Art. no. 81910830

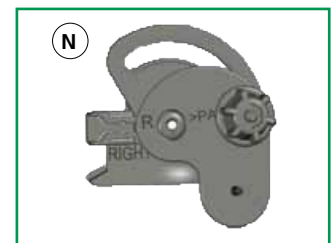
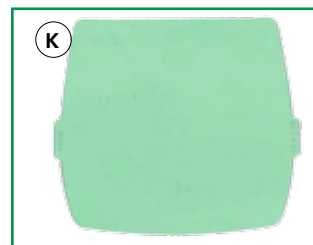
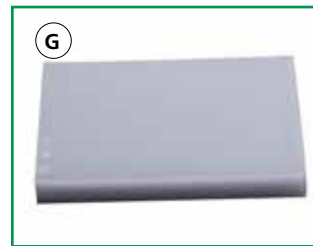
Welding helmet with fully-automatic filter (ADF). Externally variable shades 6-8 and 9-13. Externally adjustable delay and sensitivity plus weld/grind function. Perfect for welders in the manual and manufacturing industries. Approved according to EN379, EN175, EN166.

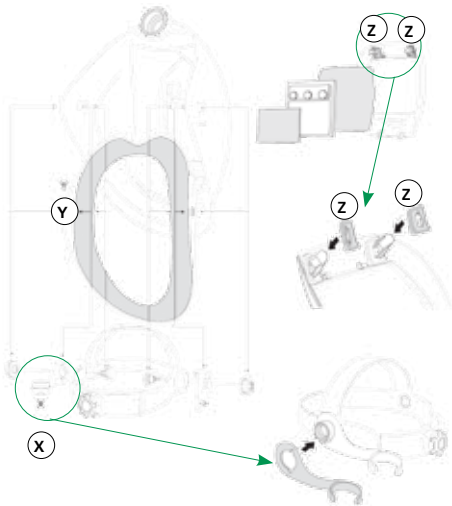
Pos.	Art. no.	Description
	81910830	MigADC <sup>plus</sup> Standard
A	81910846	Screw for headgear
B	81910845	Brake for headgear
C	81910847	Nut for headgear
D	81910848	Headgear
E	81910844	Sweat frontlet
F	81910849	Helmet shell
G	81910841	Internal shielding glass 107.5 x 71.5 mm
H	81910850	Frame for power filters
I	81911051 81911046 81911047 81911048	Power filters +1.0 Power filters +1.5 Power filters +2.0 Power filters +2.5
J	81910840	ADF Grand GDS Plus
K	81910842	External shielding glass 147 x 125 mm
L	81910843	Front frame
M	81910860	Hard hat
N	81910861	Adapter for hard hat

Parts for MigADC<sup>plus</sup> Standard and MigADC<sup>plus</sup> Air

#### Hard hat

For protection purposes, the Migatronic optical welding helmet can be equipped with a hard hat with brakes with built-in springs to keep it in place. The heavy-duty construction ensures long life of hard hat and adapter. If the welder stops welding, he can easily dismount the welding helmet, even with welding gloves on, and still be protected by the hard hat.





Pos.	Art. no.	Description	€
	81910835	MigADC <sup>plus</sup> Air	
X	81910852	Hose holder	
Y	81910851	Face seal	
Z	81910853	Washers	

Parts for MigADC<sup>plus</sup> Air only.  
See other parts for MigADC<sup>plus</sup> Air page 7.

### MigADC<sup>plus</sup> Air

Art. no. 81910835

Welding helmet with fully-automatic filter (ADF), featuring the same control facilities and advantages as the MigADCplus Standard. The helmet can be fitted with a fresh-air unit. The integrated air duct with dampers allows the welder to adjust the air flow. Approved according to EN379, EN175, EN166, EN12941, EN14594.



MigADC<sup>plus</sup> Air with Basic 2000 Flow Control



Basic 2000 Flow Control



MigADC<sup>plus</sup> Air with Chemical 3F Flow Control and filter A2P3



Chemical 3F Flow Control

### Basic 2000 Flow Control

Art. no. 81910870

Motorised respiratory protection system with P3 particle filter. The unit is equipped with a micro-computer that enables a constant flow irrespective of battery size and no matter how much the filter is clogged up. The flow is adjustable in 8 steps from 140 to 210 l/min.

If the flow falls below the set level, the welder is warned by an acoustic alarm. The micro-computer also allows the welder to check battery level and filter capacity. Approved according to EN12941/A2-TH3.

Art. no.	Description
81910870	Basic 2000 Flow Control
81910309	Prefilter
81910310	Particle filter P3
81910318	Battery
81910854	Air hose
81910858	Belt
81910292	Charger

### Chemical 3F Flow Control

Art. no. 81910880

New generation of motorised respiratory protection system, approved according to EN12941/TH2-TH3, EN12942/TM2-TM3 and density class IP65 for use in heavy chemical industries; designed to filter gases, vapours and particles and combinations thereof. The flow is adjustable from 120 to 235 l/min. If the flow falls to a low level or the filter is clogged up, the welder is warned by an alarm in the built-in micro-computer. The unit features a colour display and is supplied with a Li-Ion 14.4V 2.6Ah battery and a charger that charges the battery within 3 hours.

Art. no.	Description
81910880	Chemical 3F Flow Control
81910324	Combination filter A2P3
81910328	A2B2E2SXP3-OZONE combination filter
81910856	Battery
81910857	Hose
81910859	Belt
81910855	Charger

**Focus<sup>2</sup> ADF**

Art. no. 81910599

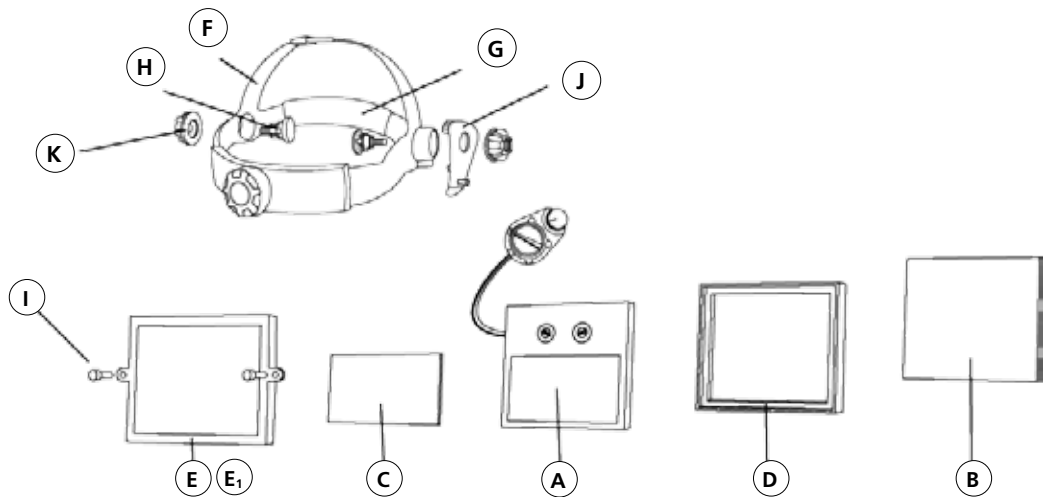
The Focus<sup>2</sup> ADF welding helmet, perfect for hobby and workshop use and light industrial welding, is equipped with ADF (auto darkening) filter and certified according to CE EN 379, CE EN 175B, EN 166B.

**Technical data:**

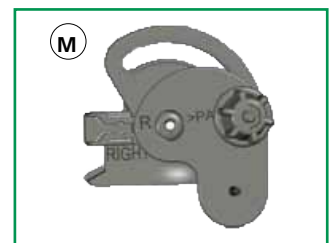
- Fully-automatic filter (ADF)
- Externally variable shade 9-13
- Adjustable delay
- Field of view 97 x 47 mm
- Classification 1/1/1/2
- Adjustable sensitivity
- Solar
- Grinding function
- Can be fitted with frame for power filter
- Can be fitted with hard hat

**Fields of application:**

- MMA (electrode)
- MIG/MAG
- TIG (>10amps)
- Grinding



Pos.	Art. no.	Description
	81910599	Focus <sup>2</sup> ADF welding helmet
A	81910807	ADF
B	81910801	External shielding glass 85.9x103.6 mm
C	81910802	Internal shielding glass 53.7x104.8 mm
D	81910804	Base frame for ADF
E	81910803	Frame for ADF
E <sub>1</sub>	81910814	Frame for ADF and power filters
F	81910805	Headgear
G	81910806	Sweat frontlet
H	81910813	Nut for headgear
I	81910809	Retaining screw for ADF
J	81910811	Brake for headgear
K	81910812	Screw for headgear
L	81910860	Hard hat
M	81910861	Adaptor for Focus2 ADF

**Hard hat**

For protection purposes, the Migatron optical welding helmet can be equipped with a hard hat with brakes with built-in springs to keep it in place. The heavy-duty construction ensures long life of hard hat and adaptor. If the welder stops welding, he can easily dismount the welding helmet, even with welding gloves on, and still be protected by the hard hat.



**Welding helmets with mineral glass and goggles**



**WELDING HELMET AR 27-PP**  
Polypropylene welding helmet with clear glass observation.

Art. no.....81910090



**MIGA FLIP UP WELDING HELMET**  
Welding helmet with Flip-up. Equipped with 60 x 110 mm passive welding filter. Shade 10 filter is standard.

Art. no.....81910890



**HEADGEAR FOR WELDING HELMETS**  
Headgear for polypropylene welding helmet.

Art. no.....81910100



**2 PCS SWEAT FRONTLETS**  
Sweat frontlet of imitation leather for fixing on headgear.

Art. no.....81910119



**WELDING SHIELD**  
Small, lightweight PVC hand-shield.

Art. no.....81910144



**GRINDING SHIELD**  
Grinding shield in clear plexi glass with pivot fittings in headgear.

Art. no.....81910007



**SAFETY GOGGLES**  
Sleek, sporty style goggle. Comfortable to wear owing to soft-touch temples and light-weight construction. Full range of vision.

Clear:  
Art. no.....81912017

Amber:  
Art. no.....81912018

Tinted mirror:  
Art. no.....81912019

Shade 3:  
Art. no.....81912020

Shade 5:  
Art. no.....81912021



**WELDING/GRINDING GOGGLES**  
Combined welding/grinding goggles with round carborock glass. Fixed grinding goggles and flip-up welding glasses. Glasses can be changed as required. For ø 50 mm glasses.

Art. no.....81912005

## Welding filters and power filters

Welding glass Protection	Size mm									
	51 x 108 Art. no.	€	60 x 110 Art. no.	€	22 x 108 Art. no.	€	64 x 101 Art. no.	€	ø50 Art. no.	€
DIN 4					81911089					
DIN 5									81911037	
DIN 6									81911038	
DIN 7	81911081		81911082							
DIN 8	81911001		81911060							
DIN 9	81911007		81911059							
DIN 10	81911005		81911058							
DIN 11	81911008		81911057							
DIN 12	81911006		81911056							
DIN 13			81911055							
Clear shielding glass	81911002		81911054				81911061		81911035	
Clear plexi shielding glass	81911045		81911053		81911003					
Yellow plexi glass					81911087					
Green Plexi shielding glass					81911004					

### Power filters for welding helmets

Power filters that suit most optical welding helmets and welding helmets with mineral glass, e.g. Focus ADF and MigADC<sup>plus</sup>.



Art. no.	Power	Size mm	€
81911051	+1.0	51 x 108	
81911046	+1.5	51 x 108	
81911047	+2.0	51 x 108	
81911048	+2.5	51 x 108	

### Protection glass for old models of optical Migatronic welding helmets



Art. no.	Size mm	Placement	Type of helmet	€
81910585	94,3 x 114,8	External	Focus black and green (first version)	
81910586	53,4 x 105,7	Internal	Focus black and green (first version)	
81910591	47 x 103,5	Internal	Protector ADF	
81910106	51 x 107	Internal	Protector Three, 4,5/450/451, 5/500/501, 5Exclus.	
81910107	97 x 110	External	Protector 4/400/401, 4,5/450/451, 5/500/501, 5TM/500TM/501TM, 5Exclus.	
81910418	66 x 109	Internal	Protector 5/500/501	
81911062	90 x 110	External	Protector 4/400/401, 5/500/501	
81911064	25 x 110	Internal	Protector Two	
81911065	68 x 110	External	Protector Two	